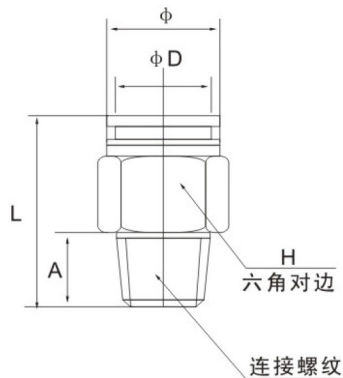
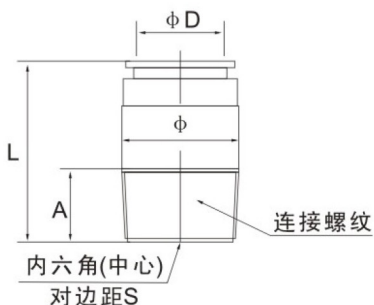


**外螺直接头: KQ2H**


气管 $\phi D$	型 号	接头螺纹		接头外形		
		规格	A	L	H	$\phi$
$\phi 4$	KQ2H04-M5	M5×0.8	4	17	8	7.9
	KQ2H04-M6	M6×1.0	4.8	18		
	KQ2H04-01S	1/8"	7.5	22	10	9.9
	KQ2H04-02S	1/4"	10.5	19.5		
$\phi 6$	KQ2H06-M5	M5×0.8	4	17.8	10	9.9
	KQ2H06-M6	M6×1.0	4.8	19		
	KQ2H06-01S	1/8"	7.5	22.5	12	11.9
	KQ2H06-02S	1/4"	10.5	23		
$\phi 8$	KQ2H08-03S	3/8"	11	22	14	13.8
	KQ2H08-01S	1/8"	7.5	28		
	KQ2H08-02S	1/4"	10.5	26.5		
$\phi 10$	KQ2H10-01S	1/8"	7.5	30	17	16.9
	KQ2H10-02S	1/4"	10.5	33.5		
	KQ2H10-03S	3/8"	11	29		
	KQ2H10-04S	1/2"	14.2	27		
$\phi 12$	KQ2H12-02S	1/4"	10.5	34.5	19	18.9
	KQ2H12-03S	3/8"	11	30		
	KQ2H12-04S	1/2"	14.2	30		
$\phi 16$	KQ2H16-02S	1/4"	10.5	39.5	24	25.7
	KQ2H16-03S	3/8"	11	39.5		
	KQ2H16-04S	1/2"	14.2	35.5		

\* 脱离环可选颜色: 灰、蓝、黑。

**内六角接头: KQ2S**


气管 $\phi D$	型 号	接头螺纹		接头外形			
		规格	A	S	L	$\phi$	
$\phi 4$	KQ2S04-M5	M5×0.8	4	2.5	18.7	8	
	KQ2S04-M6	M6×1.0	4.8		18.2		
	KQ2S04-01S	1/8"	7.5	3	23	9.9	
	KQ2S04-02S	1/4"	10.5		21		
$\phi 6$	KQ2S06-M5	M5×0.8	4	2.5	19.5	10	
	KQ2S06-M6	M6×1.0	4.8		3		19.1
	KQ2S06-01S	1/8"	7.5	4	24	11.9	
	KQ2S06-02S	1/4"	10.5		24		
$\phi 8$	KQ2S08-01S	1/8"	7.5	5	28	13.8	
	KQ2S08-02S	1/4"	10.5		6		25.5
	KQ2S08-03S	3/8"	11				27.5
$\phi 10$	KQ2S10-01S	1/8"	7.5	5	30	16.9	
	KQ2S10-02S	1/4"	10.5		8		27.5
	KQ2S10-03S	3/8"	11				27.5
	KQ2S10-04S	1/2"	14.2		28		
$\phi 12$	KQ2S12-02S	1/4"	10.5	10	33.5	18.9	
	KQ2S12-03S	3/8"	11		29		
	KQ2S12-04S	1/2"	14.2		28		
$\phi 16$	KQ2S16-02S	1/4"	10.5	8	39	25.7	
	KQ2S16-03S	3/8"	11		39		
	KQ2S16-04S	1/2"	14.2		12		35

\* 脱离环可选颜色: 灰、蓝、黑。

 Execution Element  
 执行元件

 Control Units  
 控制元件

 Air Source Treatment units  
 气源处理元件

 Pneumatic Accessory  
 气动附件