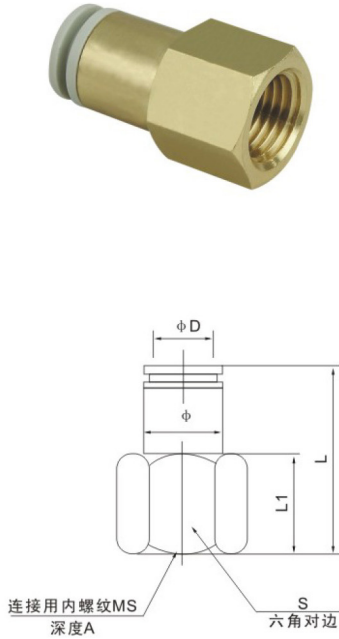
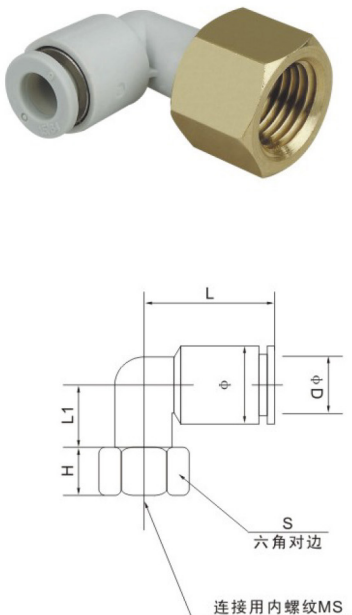


内螺直接头: KQ2F


气管 ϕD	型号	连接用内螺纹		接头外形			
		规格	A	L	L1	S	ϕ
$\phi 4$	KQ2F04-M5	M5×0.8	5.5	24	8	10	9.9
	KQ2F04-01	1/8"	9.2	27	11	14	
	KQ2F04-02	1/4"	11.5	31	14	17	
$\phi 6$	KQ2F06-M5	M5×0.8	5.5	24	8	12	11.9
	KQ2F06-01	1/8"	9.2	27.5	11	14	
	KQ2F06-02	1/4"	11.5	31	17	17	
$\phi 8$	KQ2F08-01	1/8"	9.2	29	11	17	13.8
	KQ2F08-02	1/4"	11.5	32.5	14.5	17	
	KQ2F08-03	3/8"	12.5	33.5	16.2	19	
$\phi 10$	KQ2F10-01	1/8"	9.2	31.5	13	17	16.9
	KQ2F10-02	1/4"	11.5	34.5	16	17	
	KQ2F10-03	3/8"	12.5	36.5	16.7	19	
$\phi 12$	KQ2F12-02	1/4"	11.5	35	12.6	19	18.9
	KQ2F12-03	3/8"	12.5	37	15	19	
	KQ2F12-04	1/2"	18	41	18.6	24	
$\phi 16$	KQ2F16-02	1/4"	11.5	37	15	24	25.7
	KQ2F16-03	3/8"	12.5	38	15	24	
	KQ2F16-04	1/2"	18	43	19	24	

* 脱离环可选颜色: 灰、蓝、黑。

内螺弯接头: KQ2LF


气管 ϕD	型号	连接螺纹规格	六角对边 S	接头外形			
				H	L	ϕ	L1
$\phi 4$	KQ2LF04-M5	M5×0.8	10	5	18	11	11.6
	KQ2LF04-01	1/8"	14	12			
	KQ2LF04-02	1/4"	17	14.4			
$\phi 6$	KQ2LF06-M5	M5×0.8	10	5	20	13.2	12.4
	KQ2LF06-01	1/8"	14	12			
	KQ2LF06-02	1/4"	17	14.4			
$\phi 8$	KQ2LF08-01	1/8"	14	10.7	23	15.6	13.7
	KQ2LF08-02	1/4"	17	14.4			
	KQ2LF08-03	3/8"	19	15			
$\phi 10$	KQ2LF10-01	1/8"	17	10.7	26.5	18.8	15
	KQ2LF10-02	1/4"	17	14.4			
	KQ2LF10-03	3/8"	19	15			
$\phi 12$	KQ2LF12-02	1/4"	17	14.4	28.5	21.3	16.2
	KQ2LF12-03	3/8"	19	15			
	KQ2LF12-04	1/2"	24	21.8			
$\phi 16$	KQ2LF16-02	1/4"	24	14.4	34	26.5	25.3
	KQ2LF16-03	3/8"	24	15			
	KQ2LF16-04	1/2"	24	21.8			

* 脱离环可选颜色: 灰、蓝、黑, 塑壳体可选颜色: 灰、黑。

 Execution Element
 执行元件

 Control Units
 控制元件

 Air Source Treatment Units
 气源处理元件

 Pneumatic Accessory
 气动辅助件