

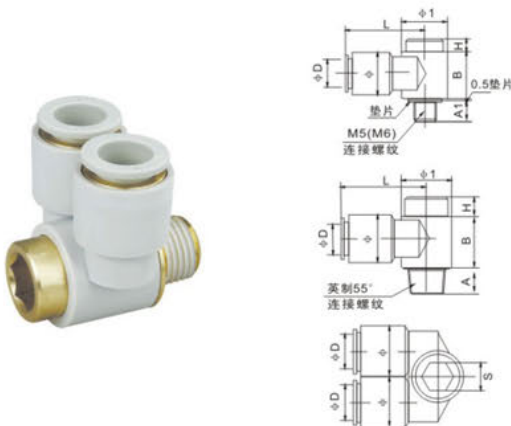
双头外六角接头：KQ2Z



气管 φD	型号	连接螺纹		接头外六角			接头外形			
		规格	A/A1	H	S	φ1	φ	L	B	
φ4	KQ2Z04-M5	M5×0.8	4	4	12	13.5	11	20.5	13.4	
	KQ2Z04-M6	M6×1.0	4.8	4						
	KQ2Z04-01S	1/8"	7.5	4.8						8
	KQ2Z04-02S	1/4"	10.5	5						10
φ6	KQ2Z06-M5	M5×0.8	4	4	12	13.2	22	13.4		
	KQ2Z06-M6	M6×1.0	4.8	4						
	KQ2Z06-01S	1/8"	7.5	4.8					8	
	KQ2Z06-02S	1/4"	10.5	5					10	
φ8	KQ2Z08-01S	1/8"	7.5	4.8	12	17.6	15.6	24.5	16.2	
	KQ2Z08-02S	1/4"	10.5	5						
	KQ2Z08-03S	3/8"	11	6.7						
φ10	KQ2Z10-01S	1/8"	7.5	5.7	14	20.5	18.8	27	19.2	
	KQ2Z10-02S	1/4"	10.5	5.7						
	KQ2Z10-03S	3/8"	11	5.7						
φ12	KQ2Z12-02S	1/4"	10.5	6.7	17	24.8	21.3	31	21.6	
	KQ2Z12-03S	3/8"	11	6.7						

* 脱离环可选颜色：灰、蓝、黑，塑壳体可选颜色：灰、黑。

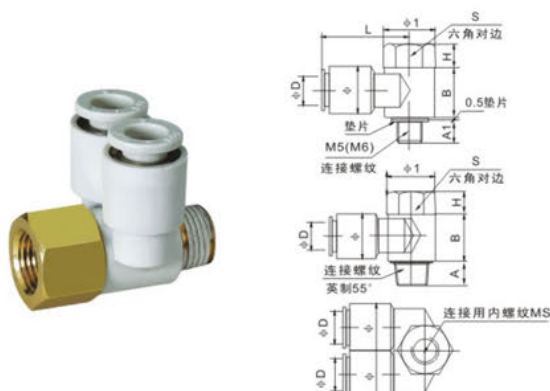
双头内六角接头：KQ2ZS



气管 φD	型号	连接螺纹		接头外六角			接头外形			
		规格	A/A1	H	S	φ1	φ	L	B	
φ4	KQ2ZS04-M5	M5×0.8	4	4	6	13.5	11	20.5	13.4	
	KQ2ZS04-M6	M6×1.0	4.8	4						
	KQ2ZS04-01S	1/8"	7.5	4.8						
	KQ2ZS04-02S	1/4"	10.5	5						
φ6	KQ2ZS06-M5	M5×0.8	4	4	6	13.2	22	13.4		
	KQ2ZS06-M6	M6×1.0	4.8	4						
	KQ2ZS06-01S	1/8"	7.5	4.8						
	KQ2ZS06-02S	1/4"	10.5	5						
φ8	KQ2ZS08-01S	1/4"	7.5	4.8	8	17.6	15.6	24.5	16.2	
	KQ2ZS08-02S	1/8"	10.5	5						
	KQ2ZS08-03S	3/8"	11	6.7						
φ10	KQ2ZS10-01S	1/8"	7.5	5.7	10	20.5	18.8	27	19.2	
	KQ2ZS10-02S	1/4"	10.5	5.7						
	KQ2ZS10-03S	3/8"	11	5.7						
φ12	KQ2ZS12-02S	1/4"	10.5	6.7	10	24.8	21.3	31.5	21.6	
	KQ2ZS12-03S	3/8"	11	6.7						

* 脱离环可选颜色：灰、蓝、黑，塑壳体可选颜色：灰、黑。

双头内外螺接头：KQ2ZF



气管 φD	型号	连接螺纹		接头外六角			接头外形			
		规格	A/A1	H	S	φ1	φ	L	B	
φ4	KQ2ZF04-M5	M5x0.8	4	4	12	13.5	11	20.5	13.4	
	KQ2ZF04-M6	M6x1.0	4.8	4						
	KQ2ZF04-01S	1/8"	7.5	10.5						
φ6	KQ2ZF06-M5	M5x0.8	4	4	12	13.2	22	13.4		
	KQ2ZF06-M6	M6x1.0	4.8	4						
	KQ2ZF06-01S	1/8"	7.5	8.7						
φ8	KQ2ZF08-01S	1/8"	7.5	8.7	17	17.6	15.6	24.5	16.2	
	KQ2ZF08-02S	1/4"	10.5	11.8						
φ10	KQ2ZF10-01S	1/8"	7.5	10.5	19	20.5	18.8	27	19.2	
	KQ2ZF10-02S	1/4"	10.5	11.8						
φ12	KQ2ZF12-02S	1/4"	10.5	11.8	22	24.8	21.3	31.5	21.6	
	KQ2ZF12-03S	3/8"	11	12.6						

* 脱离环可选颜色：灰、蓝、黑，塑壳体可选颜色：灰、黑。